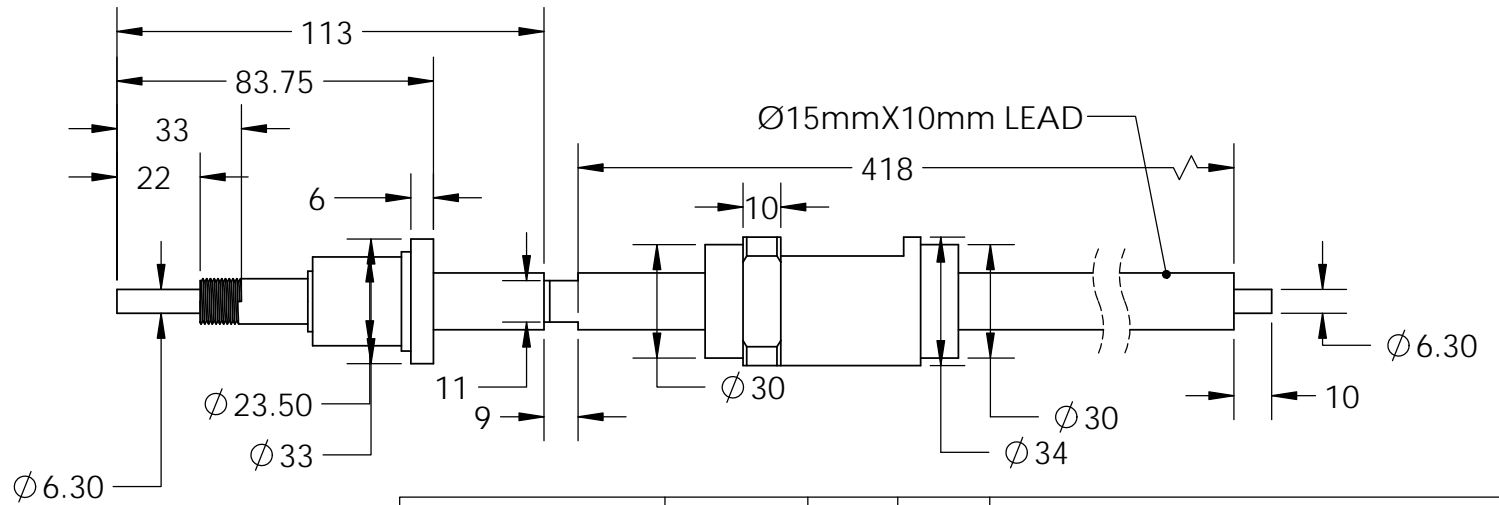
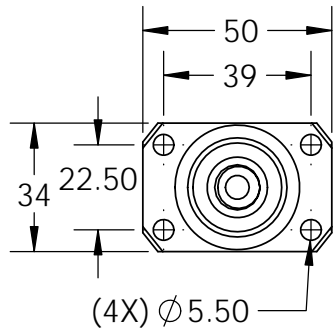
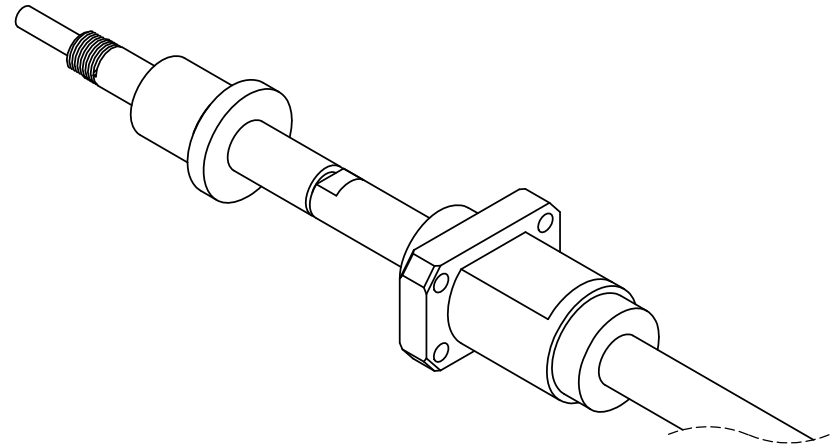


NOTE: DIMENSIONS BASED ON ACTUAL MEASURED PART AND ARE REFERENCE DIMENSIONS.



UNLESS OTHERWISE SPECIFIED: DIMENSIONS ARE IN MILLIMETERS TOLERANCES: +/- .25mm	DRAWN:	NAME	DATE	TITLE: W1504WF-5K1X-C5S10	
	CHECKED:				
PROPRIETARY AND CONFIDENTIAL THE INFORMATION CONTAINED IN THIS DRAWING IS THE SOLE PROPERTY OF <INSERT COMPANY NAME HERE>. ANY REPRODUCTION IN PART OR AS A WHOLE WITHOUT THE WRITTEN PERMISSION OF <INSERT COMPANY NAME HERE> IS PROHIBITED.	MATERIAL	COMMENTS:		DWG. NO.	REV
	FINISH			W1504WF-01	
	DO NOT SCALE DRAWING			SCALE: 1:5	WEIGHT: