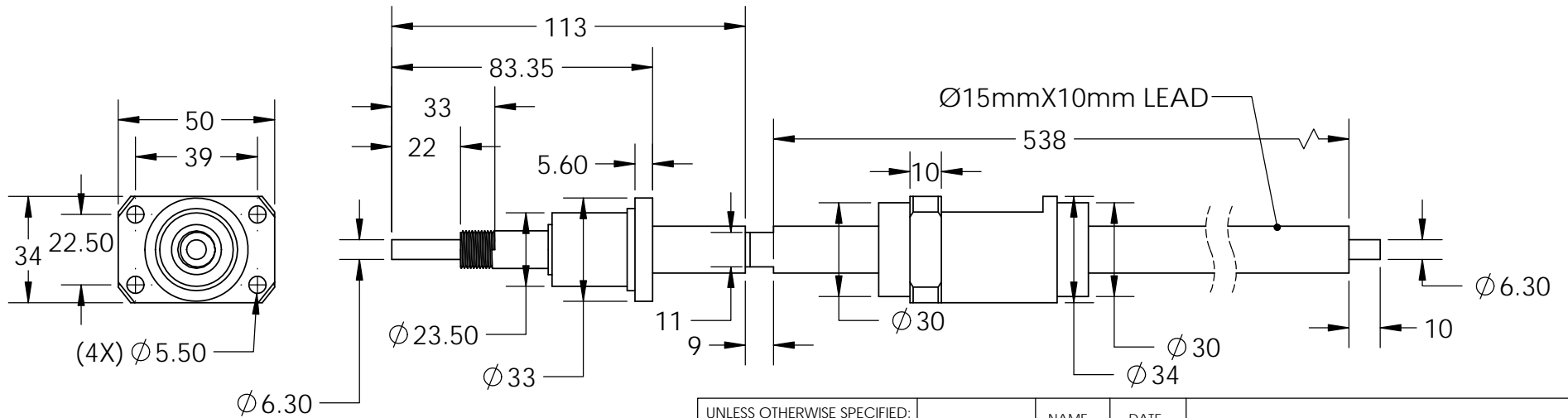
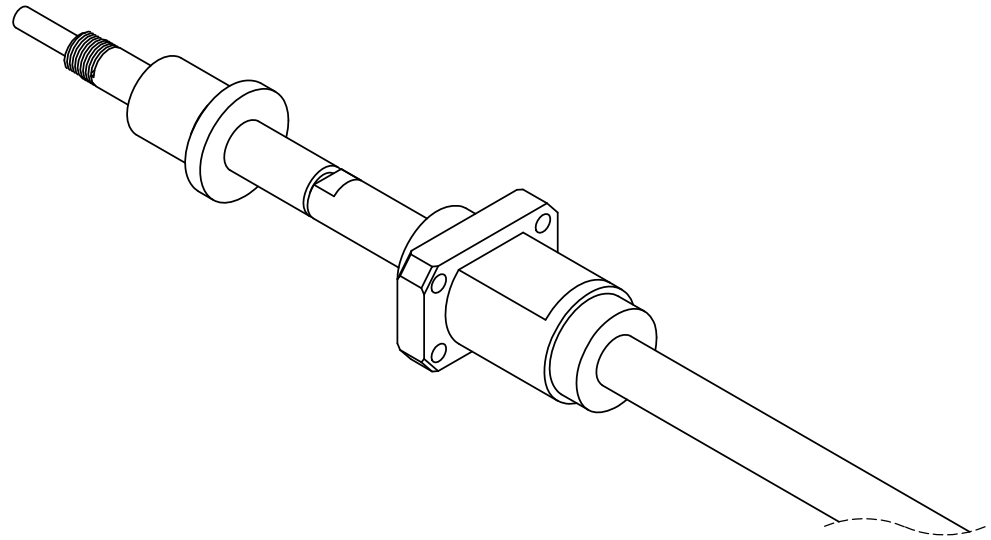


NOTE: DIMENSIONS BASED ON ACTUAL MEASURED PART AND ARE REFERENCE DIMENSIONS.



UNLESS OTHERWISE SPECIFIED:		NAME	DATE		
DIMENSIONS ARE IN MILLIMETERS TOLERANCES: +/- .25mm		DRAWN:			
		CHECKED:			
				TITLE:	
				W1505WF-9K1X-C5S10	
				DWG. NO.	REV
				W1505WF-01	
		SCALE: 1:5		WEIGHT:	SHEET 1 OF 1

**PROPRIETARY AND CONFIDENTIAL**  
 THE INFORMATION CONTAINED IN THIS DRAWING IS THE SOLE PROPERTY OF <INSERT COMPANY NAME HERE>. ANY REPRODUCTION IN PART OR AS A WHOLE WITHOUT THE WRITTEN PERMISSION OF <INSERT COMPANY NAME HERE> IS PROHIBITED.

MATERIAL  
 FINISH  
 DO NOT SCALE DRAWING

COMMENTS: